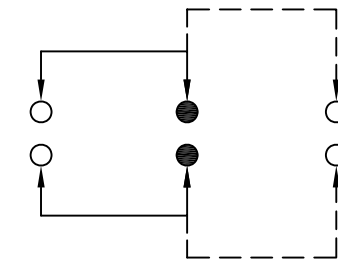
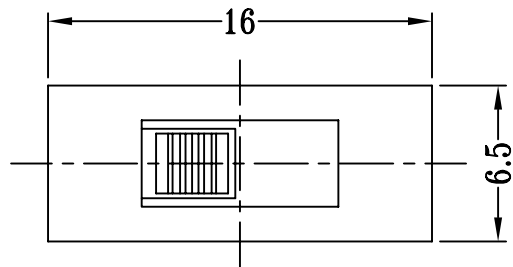
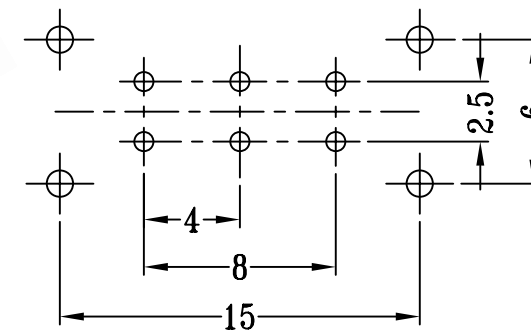
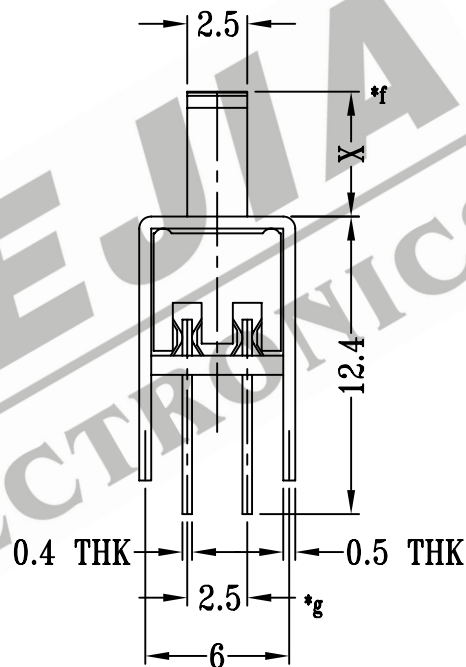
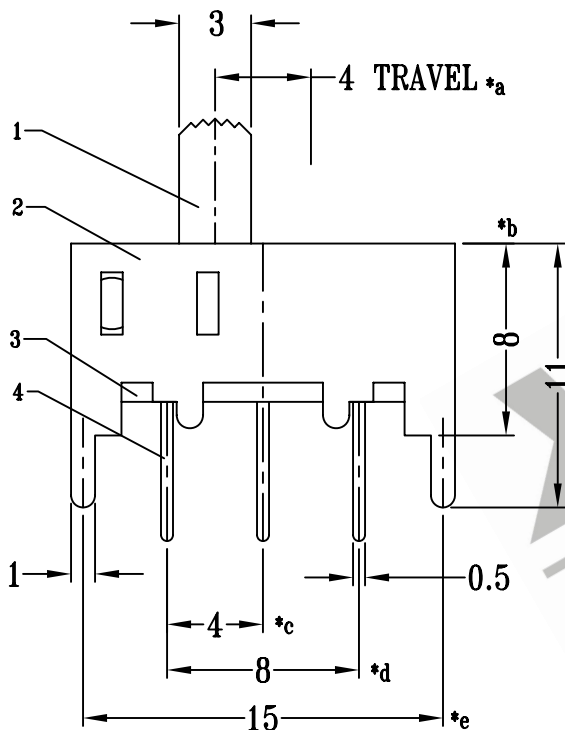


CAD FILE:



**SCHMATIC (NON-SHORTING)**



**P.C.B LAYOUT**

注:带\*表示关键尺寸(7个)

NO.	PARTS	MATERIALS	Q'TY	FINISH	TOLERANCE UNLESS SPECIFIED	SHENZHEN XIEJIA ELECTRONICS CO.,LTD.				
8						ISSUE		DATE	DESCRIPTIONS OF REVISION	APPD.
7	STEEL BALL	STEEL	1	NATURAL	WITHIN: 1.5±0.1mm OVER: 1.5±0.2mm					
6	SPRING	STEEL WIRE	1	TEMPER						
5	CONTACT CLIP	PBS STRIP	2	Ag PLATED						
4	TERMINAL	BRASS STRIP	6	Ag PLATED OVER Ni PLATED						
3	BASE	PHENOLIC RESIN	1	NATURAL	TITLE : VERTICAL SLIDE SWITCH	UNIT : mm		DRWG NO.: XJ-DR-SS22H05-00		
2	FRAME	STEEL STRIP	1	Ni PLATED	MODEL: SS-22H05	SCALE: 3:1		DWN.	ZHOUYU	2002-12-9
1	KNOB	POM	1	BLACK				CHK'D	FANGYING	2002-12-9
					ALL MATERIALS MUST BE COMPLIANT TO ROHS			APPD.	KANGXINAN	2002-12-9